

# S/EX-A



*Made in Italy*

**SIL FIM SRL**  
Via Campania 19  
60035 Jesi (AN)  
Italy

Tel: (+39) 0731 21801  
Fax: (+39) 0731 200355  
informa@silcspa.it  
www.silcspa.it



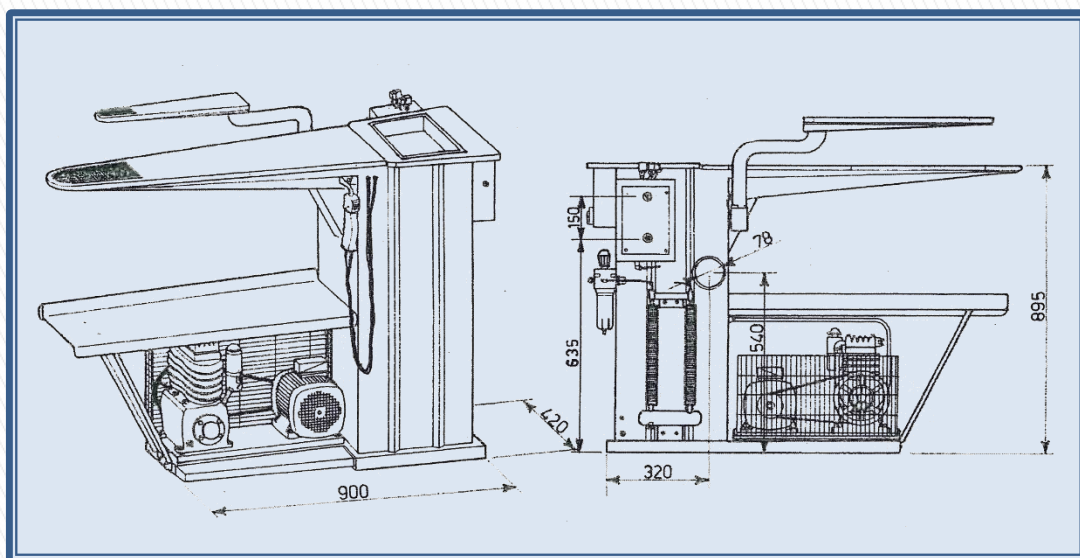
Macchina per smacchiare a caldo con piano in acciaio inox AISI 304. Completo di aspiratore e compressore incorporati. Attacco e braccio orientabile con forma smacchiante aspirante in acciaio inox. Equipaggiata con una pistola smacchiante aria/vapore. Da collegare a vapore centrale.



Hot spotting machine with AISI 304 stainless steel board. Provided with built-in vacuum group and compressor. Swing arm and attachment with vacuum stainless steel spotting form. Equipped with one steam/air spotting gun. To be connected to central steam.



Machine à détacher a chaud avec plateau en acier inox AISI 304. Munie de aspirateur et compresseur incorporés. Bras aspirant et orientable avec forme de détachage en acier inox. Avec une pistolet de détachage air/vapeur. A brancher vapeur centrale.



#### DATI TECNICI - TECHNICAL DATA - DONNÉES TECHNIQUES

Voltaggio - Voltage - Voltage	400/50/3
Aspiratore – Vacuum group – Groupe aspirateur	0,26 kW
Compressore – Compressor - Compresseur	1,5 kW (2HP)
Aria compressa – Compressed air – Air comprimée	150 L/min (10 bar)
Consumo vapore – Steam consumption – Consommation vapeur	6-10 kg/h (3-5 bar)
Peso netto - Net weight - Poids net	95 kg