

# S/EX



*Made in Italy*

**SIL FIM SRL**  
Via Campania 19  
60035 Jesi (AN)  
Italy

Tel: (+39) 0731 21801  
Fax: (+39) 0731 200355  
informa@silcspa.it  
www.silcspa.it



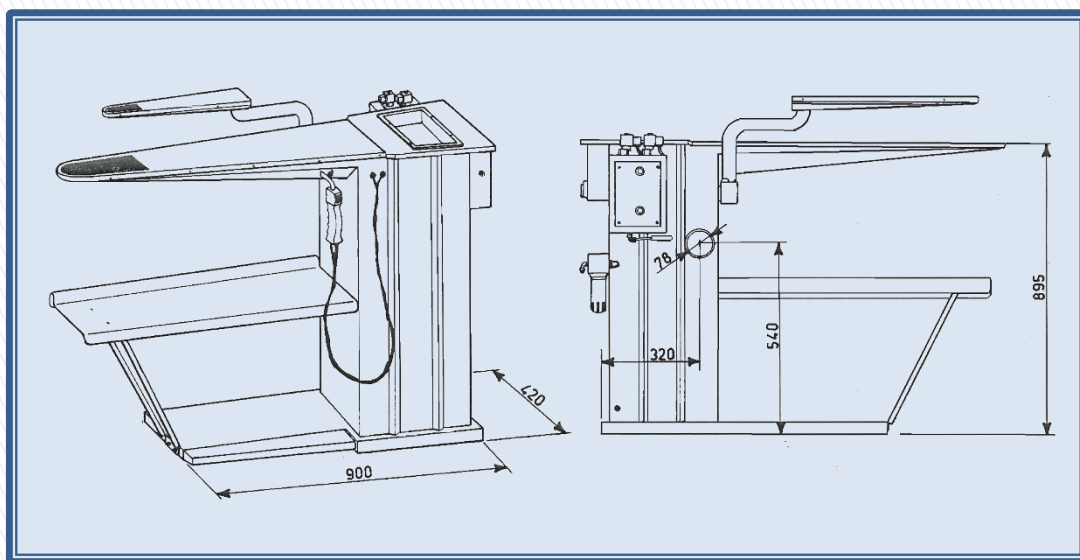
Macchina per smacchiare a caldo con piano in acciaio inox AISI 304. Completo di aspiratore incorporato. Attacco e braccio orientabile con forma smacchiante aspirante in acciaio inox. Equipaggiata con una pistola smacchiante aria/vapore. Da collegare a vapore e aria compressa centrali.



Hot spotting machine with AISI 304 stainless steel board. Provided with built-in vacuum group. Swing arm and attachment with vacuum stainless steel spotting form. Equipped with one steam/air spotting gun. To be connected to central steam and compressed air.



Machine à détacher a chaud avec plateau en acier inox AISI 304. Munie de aspirateur incorporé. Bras aspirant et orientable avec forme de détachage en acier inox. Avec une pistolet de détachage air/vapeur. A brancher vapeur et air comprimée centrales.



#### DATI TECNICI - TECHNICAL DATA - DONNESS TECHNIQUES

Voltaggio - Voltage - Voltage	230/50/1
Potenza - Power - Puissance	0,3 kW
Consumo aria compressa – Compressed air consumption – Consommation air comprimée	150 L/min (10 bar)
Consumo vapore – Steam consumption – Consommation vapeur	6-10 kg/h (3-5 bar)
Peso netto - Net weight - Poids net	52 kg