

# S/FC



*Made in Italy*

**SIL FIM SRL**  
Via Campania 19  
60035 Jesi (AN)  
Italy

Tel: (+39) 0731 21801  
Fax: (+39) 0731 200355  
informa@silcspa.it  
www.silcspa.it



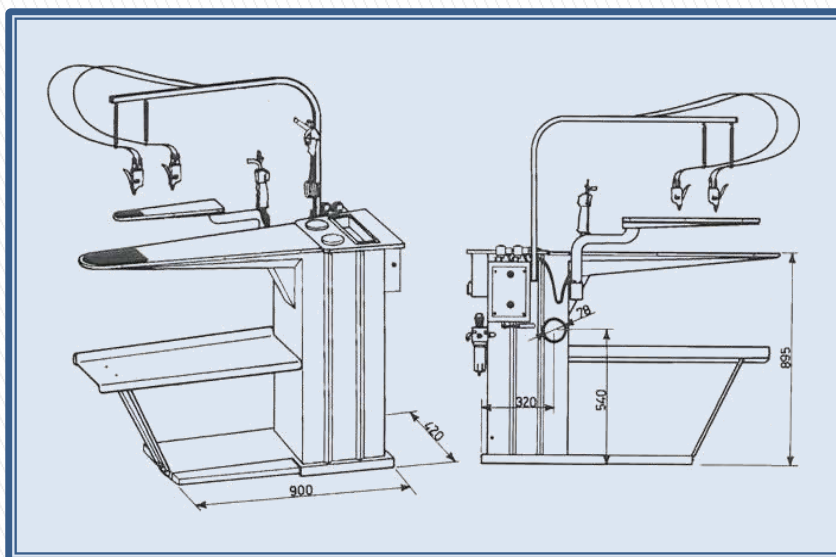
Macchina per smacchiare a freddo con piano in acciaio inox AISI 304. Completo di aspiratore incorporato. Attacco e braccio orientabile con forma smacchiante aspirante in acciaio inox. Equipaggiata con due aerografi con relativi serbatoi per prodotti e una pistola asciugatrice aria. Da collegare ad aria compressa centrale.



Cold spotting machine with AISI 304 stainless steel board. Provided with built-in vacuum group. Swing arm and attachment with vacuum stainless steel spotting form. Equipped with two spotting guns with jars and one air drying gun. To be connected to central compressed air.



Machine à détacher a froid avec plateau en acier inox AISI 304. Munie de aspirateur incorporé. Bras aspirant et orientable avec forme de détachage en acier inox. Avec deux pistolets de détachage avec bacs et une pistolet air de séchage. A brancher air comprimée centrale.



### ACCESSORI – ACCESSORIES - ACCESSOIRES

- Gruppo smacchiante a caldo con pistola smacchiante aria/vapore.
- Hot spotting group with steam/air spotting gun
- Groupe de détachage a chaud avec pistolet air/vapeur.

### DATI TECNICI - TECHNICAL DATA - DONNÉES TECHNIQUES

Voltaggio - Voltage - Voltage	230/50/1
Potenza - Power - Puissance	0,25 kW
Consumo aria compressa – Compressed air consumption – Consommation air comprimée	220 L/min
Pressione aria compressa – Compressed air pressure – Pression air comprimée	10 bar
Peso netto - Net weight - Poids net	55 kg